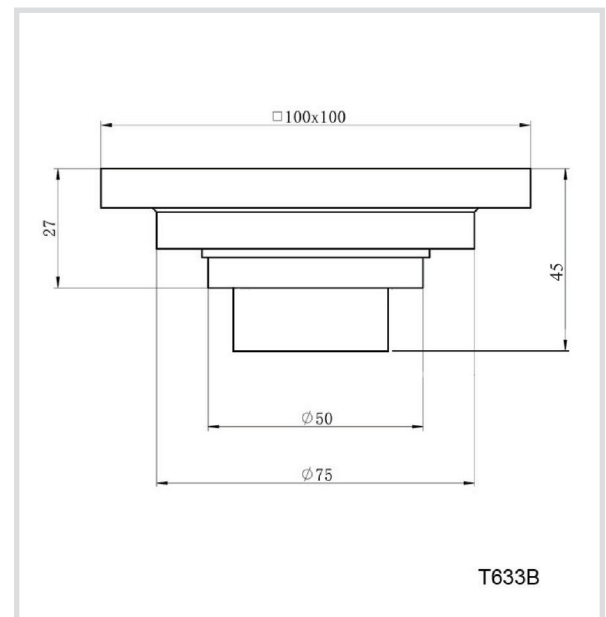


50/80mm Reflux Floor Grate

Product code: T633B

Technical Drawing



High quality chrome floor grate. Featuring a brass fitting to prevent odours, insects, and suds rising from the floor drainage. Removable for cleaning and maintenance purposes.

Features:

- Solid brass construction
- Polished chrome
- Brass fitting Non return valve
- Removable for cleaning
- 50-80mm fitting

Warranty:

2 year replacement warranty against faults in manufacture.

Commercial Warranty:

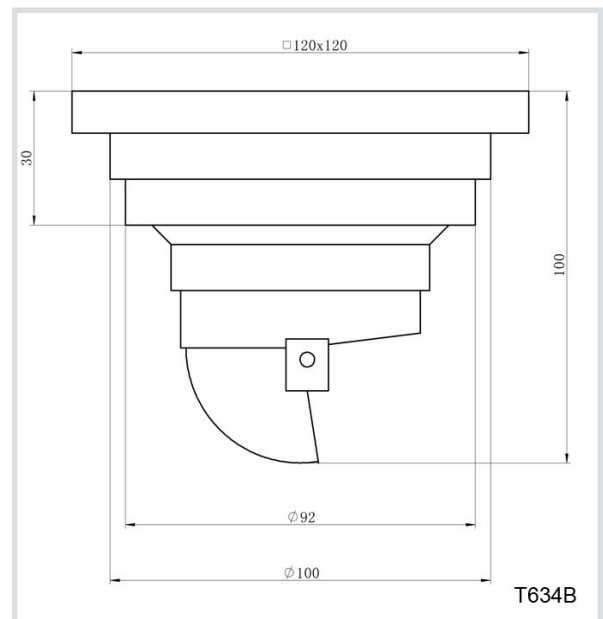
12 months replacement parts only



100mm Reflux Floor Grate

Product code: T634B

Technical Drawing



High quality chrome floor grate. Featuring ABS plastic fitting to prevent odours, insects, and suds rising from the floor drainage. Removable for cleaning and maintenance purposes.

Features:

- Solid brass construction
- Polished chrome
- Non return valve
- Removable for cleaning
- 100mm fitting

Warranty:

2 year replacement warranty against faults in manufacture.

Commercial Warranty:

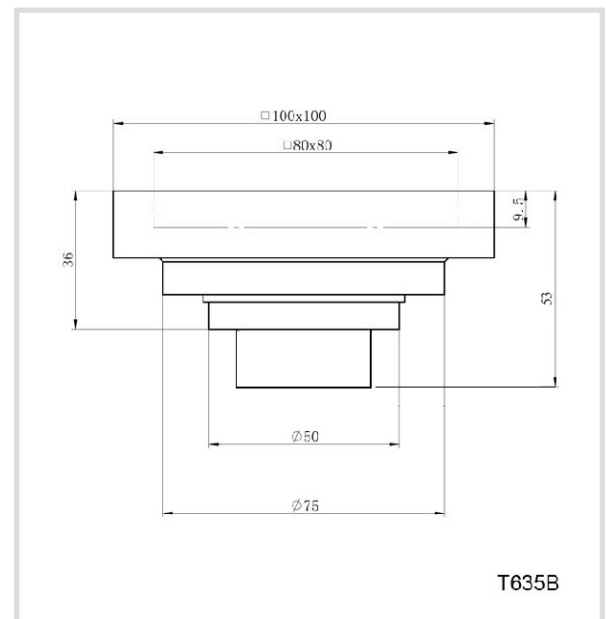
12 months replacement parts only



50/80mm Tile Insert Reflux Floor Grate

Product code: T635B

Technical Drawing



High quality chrome floor grate. Featuring a brass fitting to prevent odours, insects, and suds rising from the floor drainage. Removable for cleaning and maintenance purposes.

Features:

- Tile insert
- Solid brass construction
- Polished chrome
- Brass fitting Non return valve
- Removable for cleaning
- 50-80mm fitting

Warranty:

2 year replacement warranty against faults in manufacture.

Commercial Warranty:

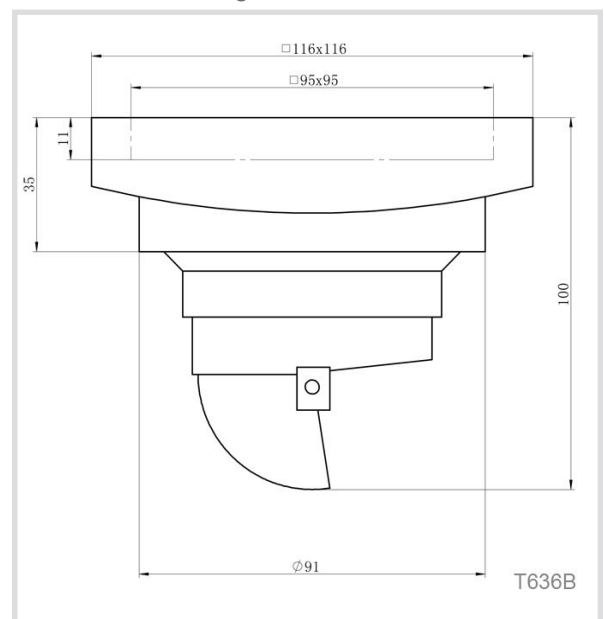
12 months replacement parts only



100mm Tile Insert Reflux Floor Grate

Product code: T636B

Technical Drawing



High quality chrome floor grate. Featuring ABS plastic fitting to prevent odours, insects, and suds rising from the floor drainage. Removable for cleaning and maintenance purposes.

Features:

- Tile insert
- Solid brass construction
- Polished chrome
- Non return valve
- Removable for cleaning
- 100mm fitting

Warranty:

2 year replacement warranty against faults in manufacture.

Commercial Warranty:

12 months replacement parts only